



Turner Uni-Drive

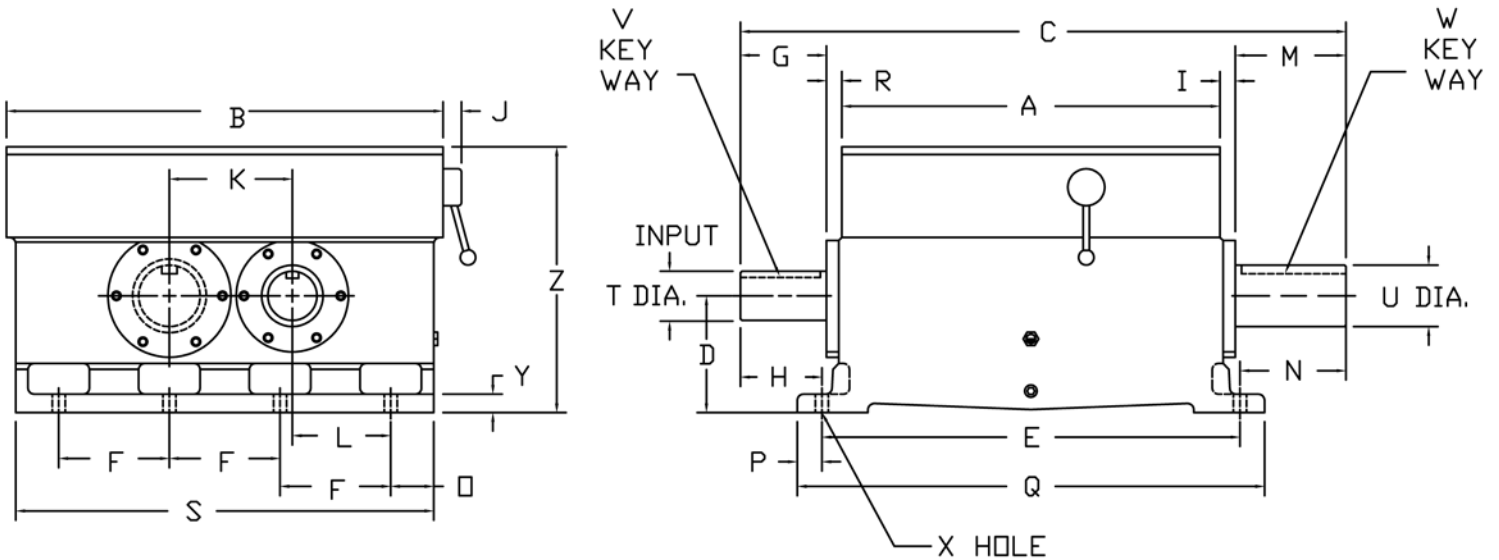
65M-SR MANUAL SHIFT

Ratio range 1.00 - 2.50 : 1
Torque Capacity - 85,000 in-lbs

2 & 3 speeds with manual or pneumatic shift

Approx. Weight 1200 lbs

DIMENSIONS



Center Distance Between Shafts, Shaft Diameters, and Distance from Center Line of Shaft to Base May Vary Depending on Application.

Hinged Motor Plate and Mounting Base available as Optional Accessories. Contact TURNER UNI-DRIVE for Dimensions.

A	B	C	D	E	F	G	H	I	J	K	L
31 1/4	35 1/2	49 1/4	9.50	34	9	7	65/8	1	1 5/8	10.000	8.00

M	N	□	P	Q	R	S	T	U
9	8 5/8	3 1/2	2	38	1	34	4.000	5.000

V	W	X	Y	Z
1 X 1/2 X 6 1/2	1 1/4 X 5/8 X 8 1/2	1 1/16 DIA	1 1/2	21 5/8