



# Turner Uni-Drive

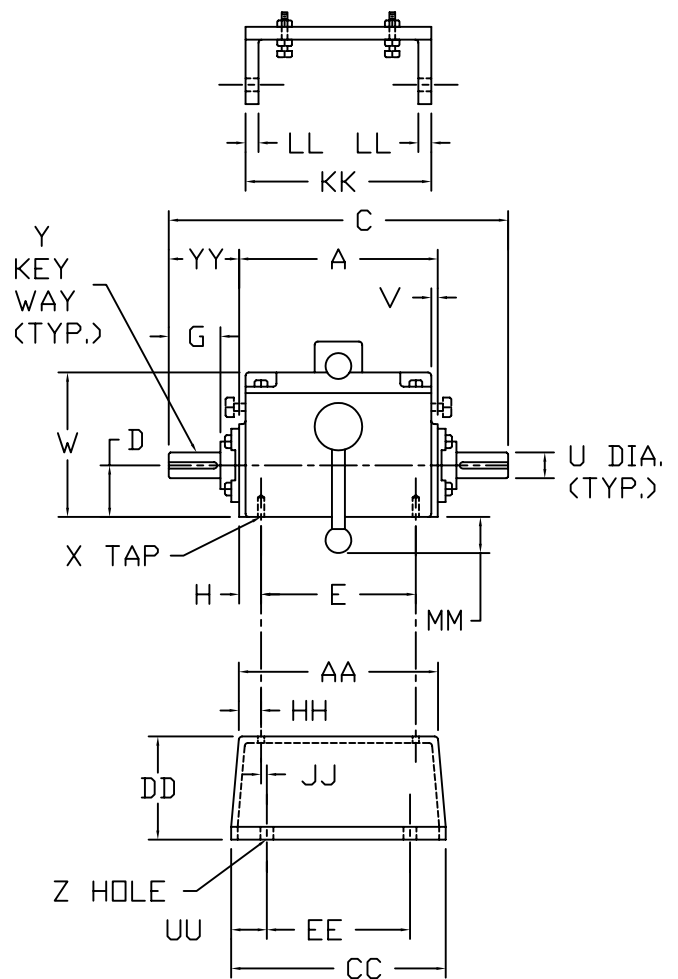
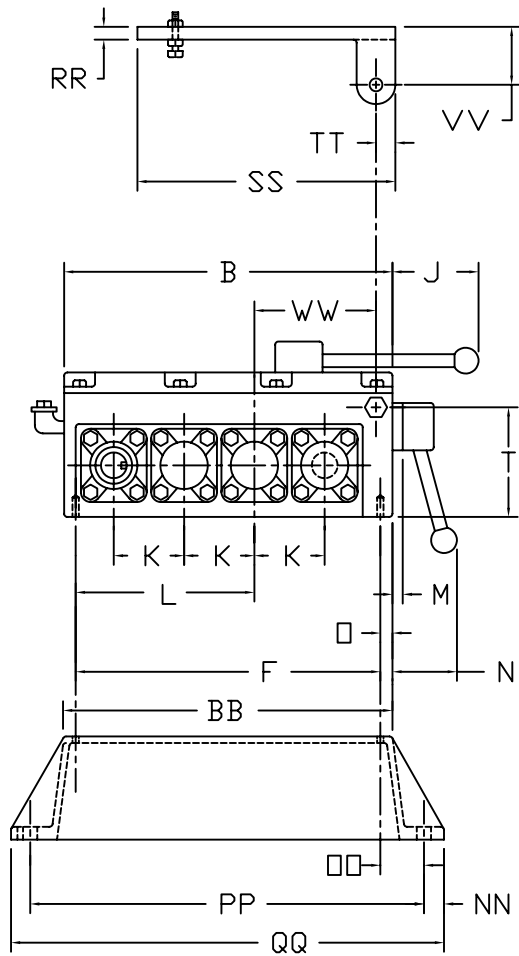
## 6M — Manual Shift

Ratio range 1.00 - 10.60 : 1  
Torque Capacity - 980 in-lbs (Manual)

Available in 2, 3, and 4 speeds with manual shift  
Off-the-shelf components for all ratios  
Available with reversing ratios

Approx. Weight 100lbs

### DIMENSIONS



A	B	C	D	E	F	G	H	J	K	L	M	N
10 3/16	16 1/8	17 3/8	2.875	7 7/8	14 3/8	2 1/2	1 5/32	3 3/4	3.000	7 7/8	5/8	2 1/4

□	T	U	V	W	X	Y	Z
7/8	5 19/32	1.125	11/32	7 1/8	3/8-16 THD X 5/8 DEEP	1/4 X 1/8 X 2 1/4	5/8 DIA

AA	BB	CC	DD	EE	HH	JJ	KK	LL	MM
9 1/2	16 1/4	9 1/2	4.125	6 3/4	13/16	9/16	11	5/8	1 1/4

NN	□□	PP	QQ	RR	SS	TT	UU	VV	WW	YY
3/4	2 1/16	18 1/2	20	1/2	13	7/8	13/8	3	6 1/4	3 19/32

DIMENSIONS ARE IN INCHES AND ARE NOT TO BE USED FOR CONSTRUCTION UNLESS CERTIFIED